

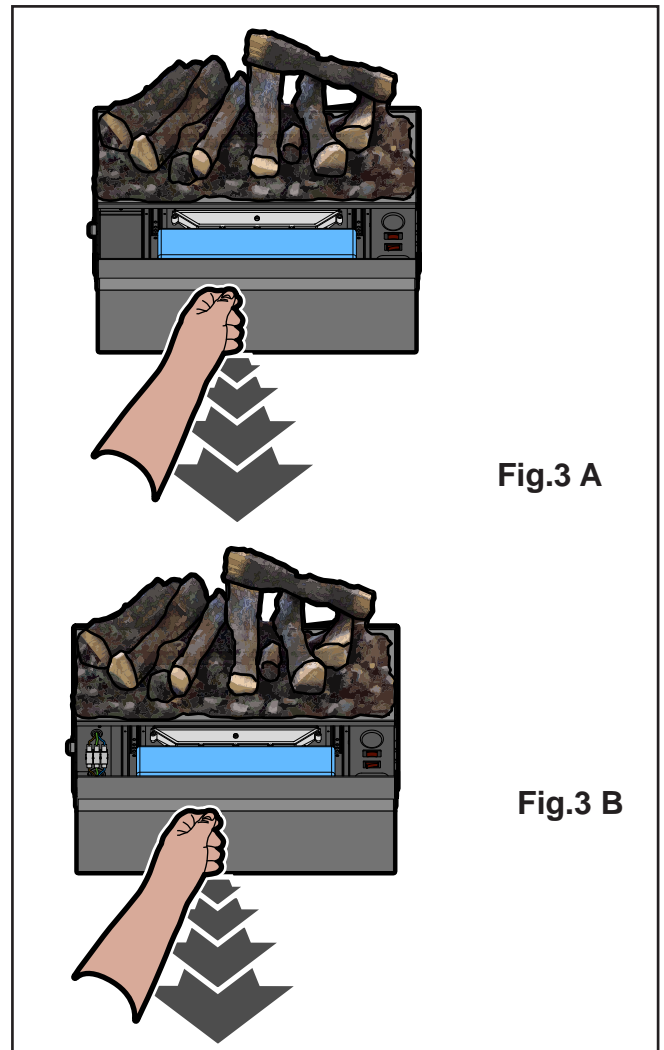
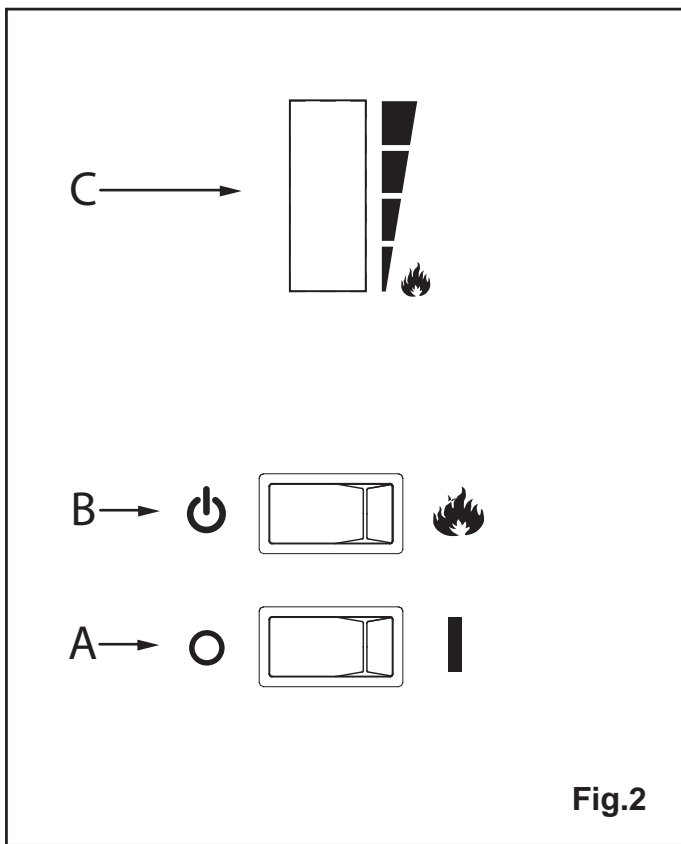
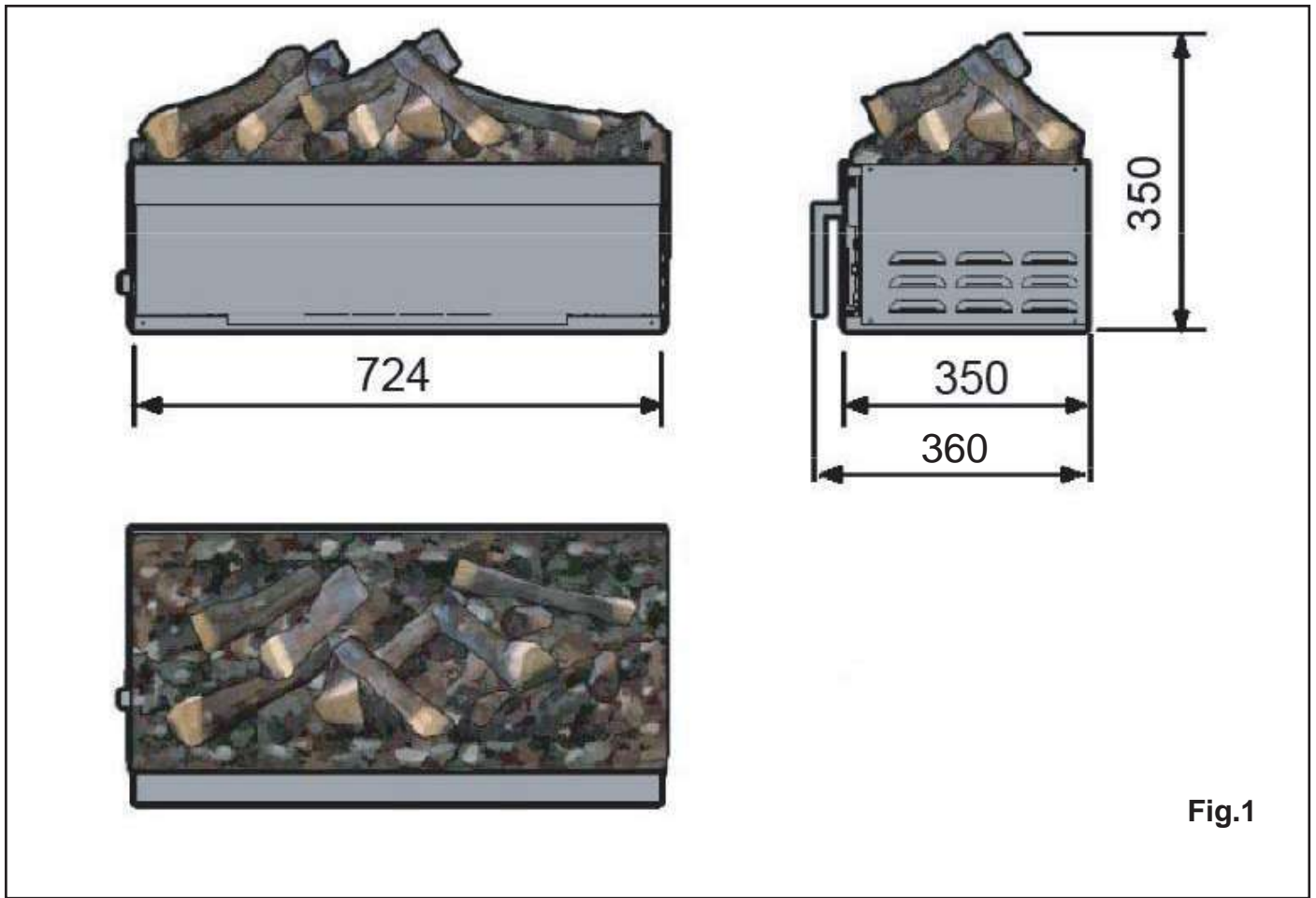
Dimplex



Cassette L

GB RU

08/51684/0 Issue 3



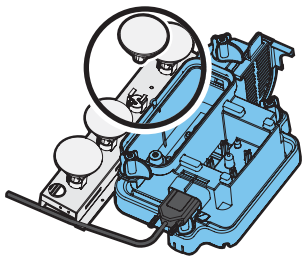


Fig.4

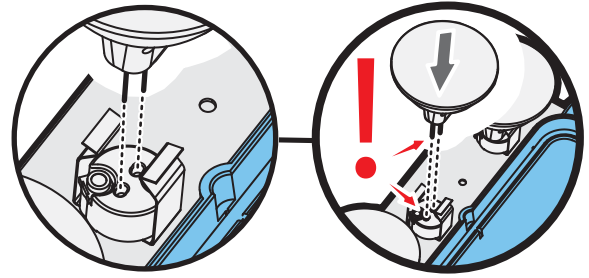


Fig.5

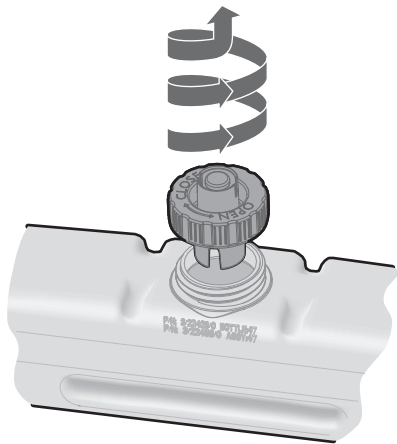


Fig.6



Fig.7

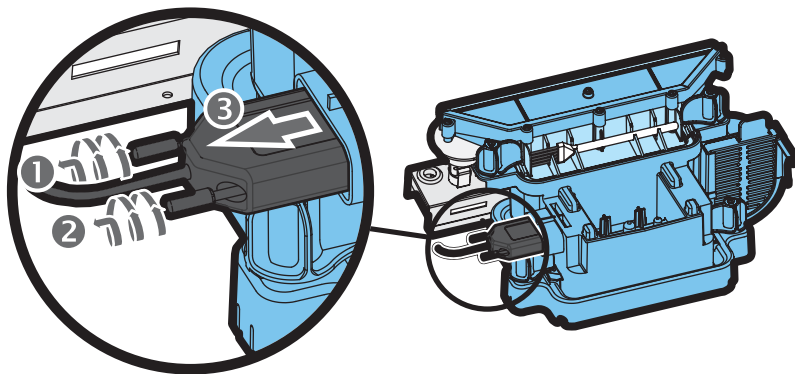


Fig.8

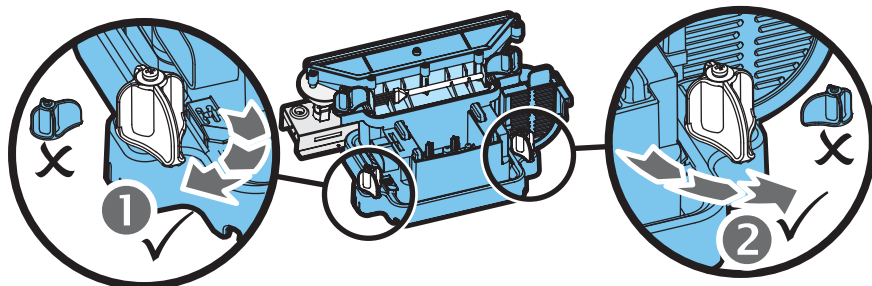
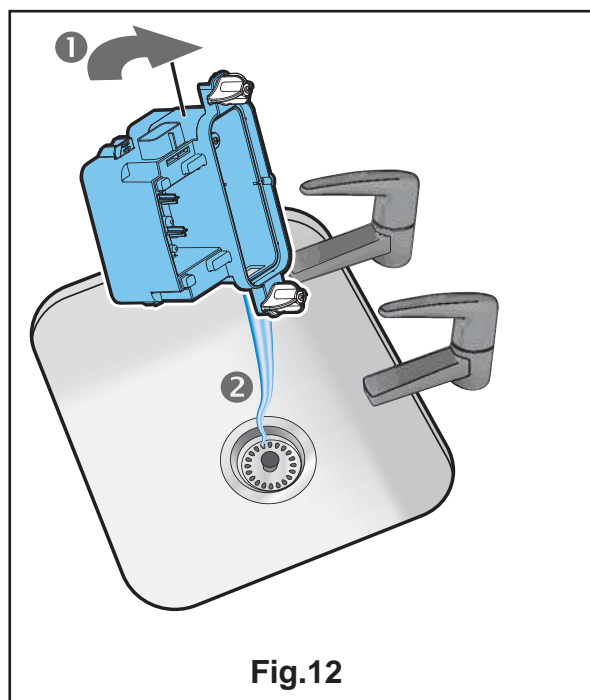
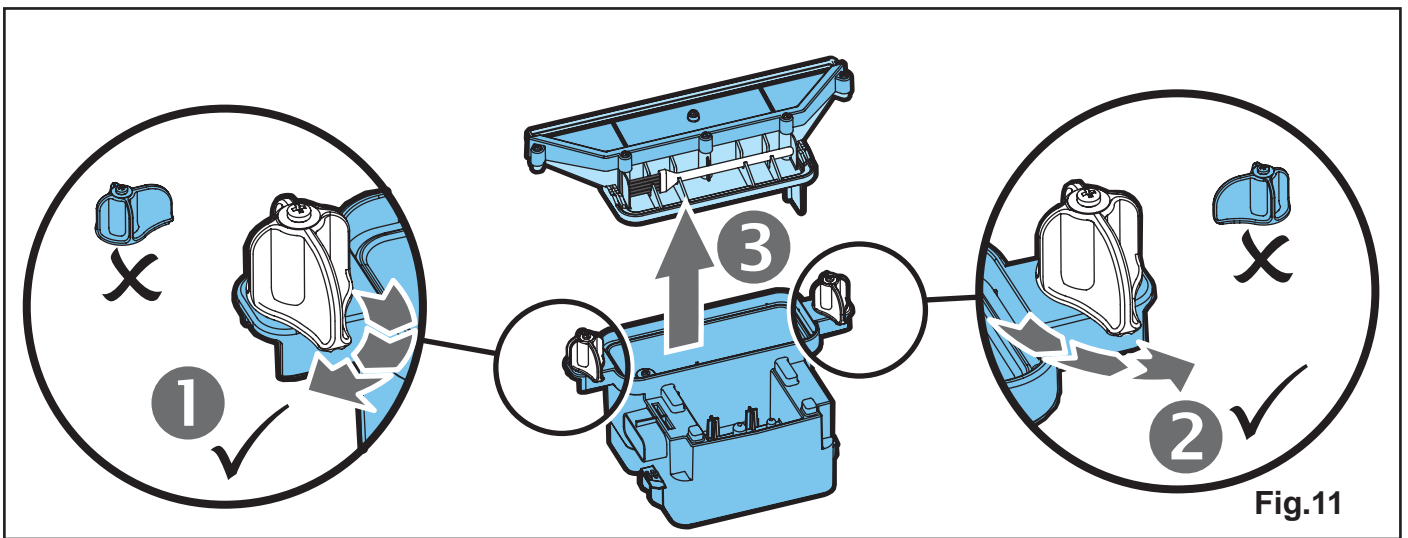
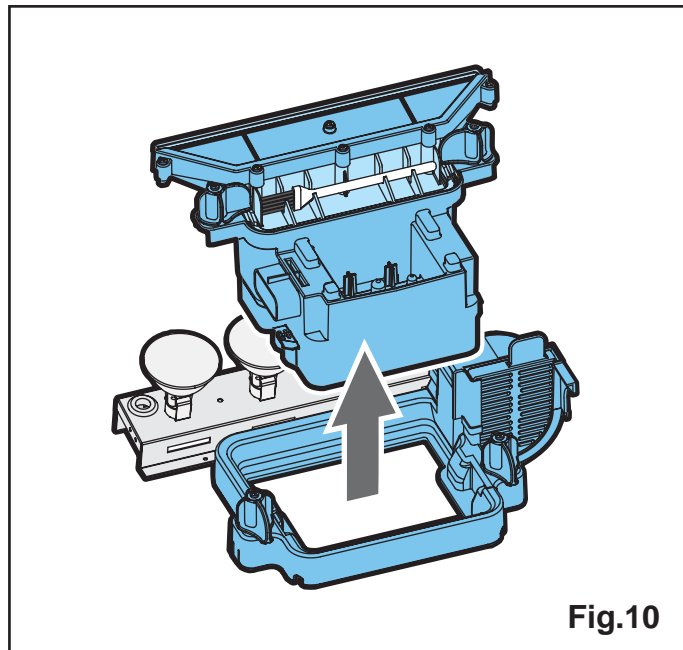


Fig.9



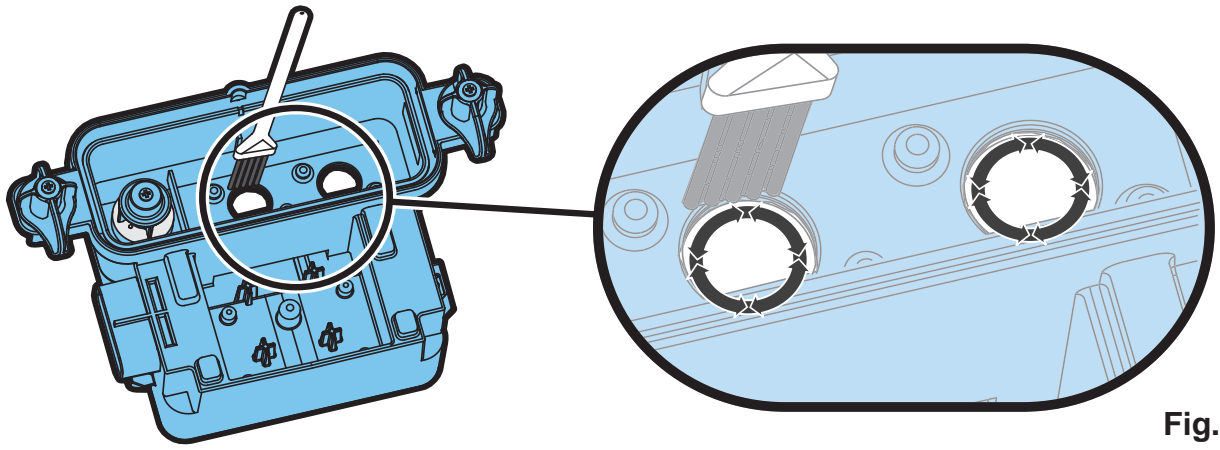


Fig.13

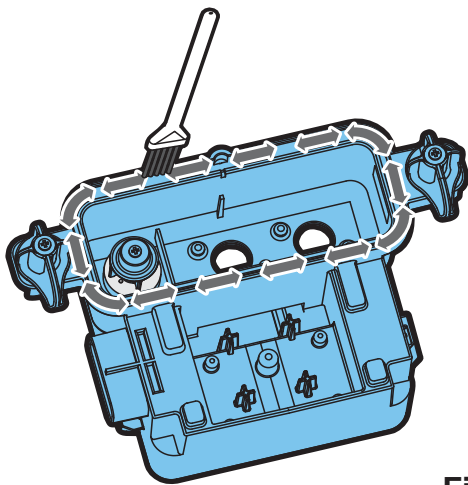


Fig.14

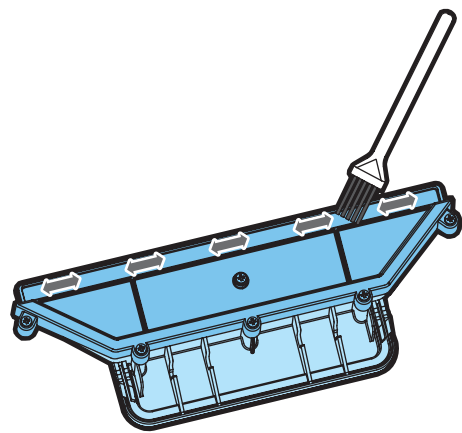


Fig.15

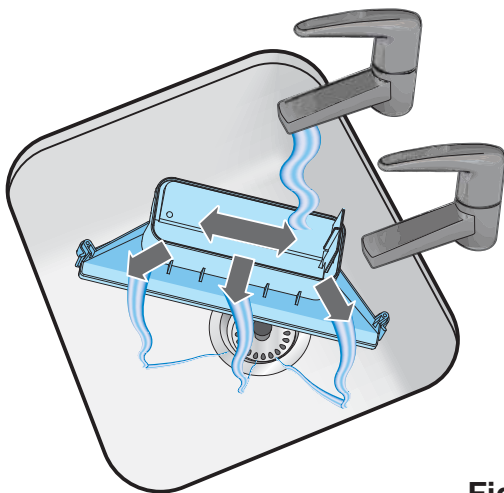


Fig.16

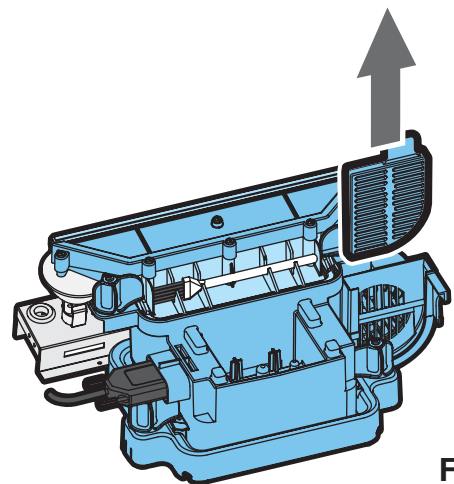


Fig.17

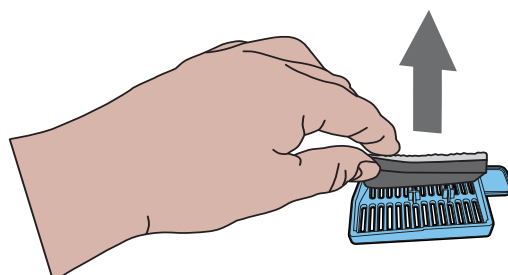


Fig.18

GN	1
RU	5

IMPORTANT: THESE INSTRUCTIONS SHOULD BE READ CAREFULLY AND RETAINED FOR FUTURE REFERENCE

Important Safety Advice:

When using electrical appliances, basic precautions should always be followed to reduce the risk of fire, electrical shock and injury to persons, including the following:

If the appliance is damaged, check with the supplier before installation and operation.

Do not use outdoors.

Do not use in the immediate surroundings of a bath, shower or swimming pool.

Do not locate the fire immediately below a fixed socket outlet or connection box.

This appliance is not intended for use by children or other persons without assistance or supervision if their physical, sensory or mental capabilities prevent them from using it safely. Children should be supervised to ensure that they do not play with the appliance.

Do not use this fire in series with a thermal control, a program controller, a timer or any other device that switches on the heat automatically, since a fire risk exists when the fire is accidentally covered or displaced.

Ensure that furniture, curtains or other combustible material are positioned no closer than 1 metre from the fire.

In the event of a fault unplug the fire.

Unplug the fire when not required for long periods.

Although this fire complies with safety standards, we do not recommend its use on deep pile carpets or on long hair type of rugs.

The appliance must be positioned so that the plug is accessible.

If the supply cord is damaged it must be replaced by the manufacturer or service agent or a similarly qualified person in order to avoid a hazard.

Keep the supply cord away from the front of the fire.

WARNING: In order to avoid overheating, do not cover the fire. Do not place material or garments on the fire, or obstruct the air circulation around the fire.

General.

Unpack the fire carefully and retain the packaging for possible future use, in the event of moving or returning the fire to your supplier. The Remote Control and batteries are packed separately in the carton.

The fire incorporates a flame effect, which can be used with or without heating, so that the comforting effect may be enjoyed at any time of the year. Using the flame effect on its own only requires little electricity.

This model is designed to be installed in a surround or into a wall recess.

Before connecting the fire check that the supply voltage is the same as that stated on the fire.

Please note: Used in an environment where background noise is very low, it may be possible to hear a sound which is related to the operation of the flame effect. This is normal and should not be a cause for concern.

Electrical connection.

WARNING – THIS APPLIANCE MUST BE EARTHED.

This fire must be used on an AC ~ supply only and the voltage marked on the fire must correspond to the supply voltage.

Before switching on, please read the safety warnings and operating instructions.

PLEASE RETAIN THIS USER'S GUIDE FOR FUTURE REFERENCE

Do not put plastic components into a dishwasher.

Only slide out the drawer when the water tank needs to be filled or a lamp needs to be changed otherwise you will inadvertently alter the water level and the flame effect operation.

Only use tap water in this appliance with a maximum hardness of 10 dH.

Always ensure that the fire is sitting on a level floor.

If you intend not using the appliance for longer than 2 weeks, drain the water from sump and water tank and dry the sump.

Once installed, never move this fire or lay on its back, without draining the water from sump and water tank. The water tank, sump, sump lid, tank cap and air filters must be cleaned once every two weeks, particularly in hard water areas.

The fire appliance should never be operated if the lamps are not working.

The lamps should be regularly inspected as described under 'Maintenance' and 'Changing lamps'.

Installation Instructions

Ensure that all packing items are removed (read any warning labels carefully).

Retain all packing for possible future use, in the event of moving or returning the appliance to your supplier.

To reduce heat losses and to prevent any chimney updraught affecting the operation of your fire we recommend that the chimney flue is blocked off, ensure that there is a slight gap for ventilation.

To install the appliance;

Hold the fire by the sides and gently manoeuvre into position. Plug the fire into a 13amp/240 volt outlet. Ensure that the supply cable exits at the front of the fire, at the right or left hand corner to suit your supply socket location and is not trapped under the fire such that it might cause it to be damaged.

Before switching on the appliance, please read the following instructions.

Before using the manual controls firstly fill the water tank (See 'Maintenance', 'Filling the water tank').

Manual Controls.

The manual controls are located behind the drawer.

(See Fig.2 for Manual Control lay out)

Switch 'A':- Controls the electricity supply to the fire.

Note: This switch must be in the 'ON' (I) position for the fire to operate

Switch 'B':- Controls the function of the fire.

Press once to turn on flame effect. This will be indicated by one beep.

Although the main lights operate immediately it will take a further 30 seconds before the flame effect starts.

Press to put fire in to standby mode.

This will be indicated by one beep.

Control Knob 'C':- Controls the intensity of the flame effect.

Turning the control knob up increases the flame effect, turning the control knob down will decrease the flame effect.



When the water tank is empty the main lamps go out. See instructions under 'Maintenance', 'Filling the water tank'. When this procedure is complete, the main lamps will illuminate but it will take 30 seconds before the flames return.

Remote Control Operation

On the control panel, Switch A (see Fig.2) must be in the 'ON' (I) position in order for the remote control to operate. There are 2 buttons on the remote control. (See Fig.7)

To operate correctly the remote must be pointed towards the front fuel effect.

The remote control functions are as follows:

-  **Press once to turn on Flame effect only.**
This will be indicated by one beep.
-  **Standby**
This will be indicated by one beep.

Battery Information.

1. Unclip the battery cover on the back of the remote control. (See Fig.7)
2. Install AAA batteries into the remote control.
3. Replace the battery cover.

Discard leaky batteries.

Dispose of batteries in the proper manner according to provincial and local regulations.

Any battery may leak electrolyte if mixed with a different battery type, if inserted incorrectly, if all the batteries are not replaced at the same time, if disposed of in a fire, or if an attempt is made to charge a battery not intended to be recharged.

Tips for using your appliance.

1. Only pull out the drawer when its time to refill the water tank or change a lamp, otherwise it may lead to excess water in the sump and reduced flame effect. If this happens empty the water from the sump as instructed under 'Maintenance'.
2. With the flame setting on minimum the unit will use approximately 40ml of water per hour and will last 3 times as long than when it is at maximum flame setting.
3. Do not tilt or move the fire while there is water in the tank or sump.
4. Make sure that the fire is on a level floor.
5. The flame control knob 'C' (Fig.2) may be turned up or down to give a more realistic effect.
6. Sometimes the flames appear more real when the flame control knob is turned down.
7. Give the flame generator some time to react to changes you may make on the flame control knob.

Maintenance

WARNING: ALWAYS DISCONNECT FROM THE POWER SUPPLY BEFORE ATTEMPTING ANY MAINTENANCE

Changing lamps.

If a large amount of the smoke appears grey or colourless it may be that one or more lamps have failed.

You can check for lamp failure as follows.

1. Leaving the flame effect on, open the drawers fully, gently

pull the drawer fully out by the tab. (See Fig.3)

2. View the lamps from a distance in front of the fire and observe which lamp needs to be changed.
3. Put Switch 'A' in the 'OFF' position, and unplug the fire from the mains.
4. Leave the appliance for 20 minutes to allow the lamps to cool down before removing them.
5. Remove the water tank by lifting upwards and place in a sink.
6. Remove the sump as described in the Cleaning Section.
7. Remove the defective lamp, by gently lifting vertically and disengaging the pins from the lamp holder, (See Fig.4 and 5). Replace with an original, 12V, 45W, Gu5.3 base, 8° beam angle, coloured lamp. Purchase the lamps from your supplier
8. Carefully insert the two pins of the new lamp into the two holes in the lamp holder. Push firmly in place. (See Fig.4 and 5).
9. Replace the sump and water tank and carefully close the drawer.
10. Switch on.

Filling the water tank.

When the water tank is empty, flame and smoke effect shuts off, and you will hear 2 audible 'beeps'. Follow these steps to refill:

1. Press Switch 'A' to (0). (See Fig.2)
2. Pull out the drawer as far as possible by the tab. (See Fig.3)
3. Remove the water tank by lifting upwards and outwards.
4. Place the water tank in sink and remove cap, Anti-clockwise to open. (See Fig.6)
5. Fill tank with **tap water with a maximum hardness of 10 dH only**. This is necessary to prolong the life of the flame and smoke producing unit.
In situations with a higher water hardness, the water should be filtered (for example with a Maxtra filter). **Do not use a decalcifier.**
6. Screw the cap back on, **do not overtighten**.
7. Return the tank to the sump, with the tank cap facing down and the flat side of the tank facing outward.
8. Press Switch 'B' once to turn on flame effect. (See manual control section and Fig.2).
9. Press Switch 'A' to 'ON' (I) position. (See Fig.2)
10. Gently push the drawer back in as far as it will go.

Cleaning.

WARNING – ALWAYS DISCONNECT FROM THE POWER SUPPLY BEFORE CLEANING THE FIRE.

We recommend cleaning the following components once every 2 weeks, particularly in hard water areas:-

Water Tank, Sump and Seal, Sump lid, Tank cap and seal, Air filter.

For general cleaning use a soft clean duster – never use abrasive cleaners. To remove any accumulation of dust or fluff the soft brush attachment of a vacuum cleaner should occasionally be used to clean the outlet grille of the fan fire.

Water tank

1. Remove water tank, as described earlier, put into sink and empty water.
2. Using the supplied brush gently rub the inside surfaces of the cap paying particular attention to the rubber ring in the outer groove and the centre rubber seal.

3. Put a small quantity of washing up liquid into the tank, refit the cap and shake well, rinse out until all traces of washing up liquid are gone.
4. Refill with tap water with a maximum hardness of 10 dH only, replace the cap, do not overtighten.
5. Do not use a decalcifier when cleaning the appliance, this may shorten the lifetime of the smoke unit.

Sump

1. Press Switch 'A' to the 'OFF' (0) position
2. Gently pull the drawer out as far as possible. (See Fig.3)
3. Remove the water tank by lifting upwards.
4. Disconnect the electrical connector, located on the left side of the sump, by first loosening the two retaining screws and gently withdrawing the connector. (See Fig.8)
5. Release the lower sump locking tabs by turning 90°, this allows the sump to be lifted completely from its location. (See Fig.9)
6. Gently lift up the sump assembly, taking care to keep level so as not to spill any water. Sit the assembly in the sink. (See Fig.10)
7. Release the two upper sump locking tabs by turning 90°, then lift off the sump lid. (See Fig.11)
8. Carefully tilt, as shown, so that the liquid drains out of the sump. (See Fig.12)
9. Put a small amount of washing up liquid into the sump, and using the supplied brush, gently clean all surfaces including the metal disc and the rubber seal located in the top grooved surface. **Do not remove the rubber seals.** (See Fig.13 and 14)
10. When cleaned, thoroughly rinse the sump with clean water.
11. Clean the outlet surface of the sump lid with the brush and flush out thoroughly with water. (See Fig.15 & 16)
12. Reverse the above steps to reassemble.

Air filter.

1. Gently pull the drawer out as far as possible. (See Fig.3).
2. Press Switch 'A' to the 'OFF' (0) position (See Fig.2)
3. Remove the tank and place in a sink with the cap facing upwards.
4. Gently slide upwards the air filter plastic holder. (See Fig.17)
5. Remove the filter combination from the plastic holder.
6. Gently rinse with water in the sink and dry with fabric towel before returning.
7. Replace the filter combination making sure that the coarse black filter is in contact with the plastic holder. (See Fig.18)
8. Replace the tank.
9. Press Switch 'A' to the 'ON' (I) position (See Fig.2).
10. Close the drawer fully.

Recycling.



For electrical products sold within the European Community. At the end of the electrical products useful life it should not be disposed of with household waste. Please recycle where facilities exist. Check with your Local Authority or retailer for recycling advice in your country.

After Sales Service

Your product is guaranteed for one year from the date of purchase. Within this period, we undertake to repair or exchange this product free of charge (excluding lamps & subject to availability) provided it has been installed and operated in accordance with these instructions. Should you require after sales service or should you need to purchase any spares, please contact the retailer from whom the appliance was purchased or contact the service number relevant to your country on the warranty card. Please do not return a faulty product to us in the first instance as this may result in the loss or damage and delay in providing you with a satisfactory service.

Please retain your receipt as proof of purchase.

Troubleshooting		
Symptom	Cause	Corrective Action
The flame effect will not start.	<p>Mains plug is not plugged in.</p> <p>Switch A is in the 'ON' (I) position, but mode Switch B has not been pressed. (See Fig.2)</p> <p>Low water level.</p> <p>Low voltage connector not connected properly. (See Fig.8)</p>	<p>Check plug is connected to wall socket correctly.</p> <p>Press Switch B once for flame effect. (See Fig.2)</p> <p>Check the water tank is full and there is water in the sump.</p> <p>Check that the connector is inserted correctly. (See Fig.8)</p>
The flame effect is too low.	<p>Flame effect control knob is set too low. (See Fig.2)</p> <p>The water in the sump may be too high due to the drawer being opened and closed a number of times, water tank removed a number of times, or the fire has been moved.</p> <p>Metal Disc at the base of Sump might be dirty (See Fig.13)</p>	<p>Increase level of flame by turning Control knob C to the left slowly. (See Fig.2)</p> <p>If water level in the sump is more than 40mm, the sump should be removed and emptied in the sink.</p> <p>Clean the Metal Disc with the soft brush supplied. (See Fig.13) See 'Maintenance.' for a step by step procedure.</p>
Unpleasant smell when unit is used.	<p>Dirty or stale water.</p> <p>Using unfiltered tap water.</p>	<p>Clean the unit as described under maintenance.</p> <p>Use tap water with a maximum hardness of 10 dH only.</p>
The flame effect has too much smoke.	<p>Flame effect setting is too high.</p>	<p>Turn the flame effect Control knob C to the right until it is at minimum and slowly turn to the left, about ¼ a turn, at a time. Give the flame generator some time to adjust before increasing. (See Fig.2)</p>
Main lamps are not working and there are no flames or smoke.	<p>There is no water in the tank.</p>	<p>Follow instructions under Maintenance, 'Filling the water tank'.</p> <p>Check the plug is connected to wall socket correctly.</p> <p>Switch 'A' Fig. 2 is in the 'ON' (I) position.</p> <p>Press switch 'B' Fig.2 until you can hear one beep only, for flame effect.</p>

ВАЖНО! ВНИМАТЕЛЬНО ПРОЧИТАЙТЕ ЭТИ ИНСТРУКЦИИ И СОХРАНИТЕ ИХ ДЛЯ БУДУЩЕГО ИСПОЛЬЗОВАНИЯ

Важная информация по технике безопасности:

Для снижения риска воспламенения, поражения электрическим током и получения травм при использовании электроприборов необходимо соблюдать основные меры безопасности, в том числе:

Если прибор поврежден, обратитесь к поставщику, перед тем устанавливать и эксплуатировать прибор.

Не используйте прибор вне помещений.

Не используйте прибор в непосредственной близости от ванной комнаты, душа или бассейна.

Не располагайте камин непосредственно под штепсельной розеткой или соединительной коробкой.

Данный прибор не предназначен для самостоятельной эксплуатации детьми или другими лицами, чьи физические, сенсорные или умственные способности не позволяют безопасно эксплуатировать прибор. Необходимо следить за детьми и не позволять им играть с прибором.

Не используйте камин в сочетании с терморегулятором, программным контроллером, таймером или любым другим устройством, которое осуществляет автоматическое переключение в режим нагрева, поскольку случайное заслонение или смещение камина может стать причиной пожара.

Убедитесь в том, что на расстоянии 1 м от камина отсутствует мебель, шторы или другие воспламеняющиеся предметы.

В случае неисправности выньте вилку камина из розетки.

Отсоединяйте камин от розетки, если он не используется в течение длительного времени.

Несмотря на то, что этот камин соответствует положениям стандартов безопасности, мы не рекомендуем использовать его в помещениях, где уложено ковровое покрытие с длинным ворсом.

Прибор должен быть установлен так, чтобы сохранялся доступ к розетке электропитания.

Если шнур питания поврежден, то, во избежание возникновения опасных ситуаций, его замена должна производиться изготовителем, агентом по сервисному обслуживанию или аналогичным квалифицированным специалистом.

Следите за тем, чтобы шнур питания не оказался в зоне перед камином.

ВНИМАНИЕ! Не накрывайте камин во избежание перегрева.

Не кладите на камин ткань или одежду и не создавайте препятствия для циркуляции воздуха вокруг камина.

с низким уровнем фонового шума, то можно услышать звук, создаваемый эффектом пламени. Это нормальное явление, которое не должно служить причиной для беспокойства.

Электрическое подключение

ВНИМАНИЕ! ДАННЫЙ ПРИБОР ТРЕБУЕТ ЗАЗЕМЛЕНИЯ.

Камин следует подключать только к источнику питания переменного тока, при этом напряжение должно соответствовать указанному на приборе.

Перед включением прибора ознакомьтесь с указаниями по безопасности и инструкцией по эксплуатации.

СОХРАНИТЕ ДАННОЕ РУКОВОДСТВО ДЛЯ БУДУЩЕГО ИСПОЛЬЗОВАНИЯ

Не мойте пластмассовые части прибора в посудомоечной машине.

Выдвигайте ящик только для доливки воды в бак или замены лампы, иначе можно случайно изменить уровень воды и нарушить работу эффекта пламени.

Используйте в этом приборе только водопроводную воду жесткостью до 10 немецких градусов жесткости.

Устанавливайте камин только на ровном полу.

Если вы не собираетесь использовать прибор в течение более 2 недель, слейте воду из поддона и бака и протрите поддон.

После установки нельзя перемещать и опрокидывать камин, не слив предварительно воду из поддона и бака.

Бак для воды, поддон, крышку поддона, пробку бака и воздушные фильтры следует очищать каждые две недели, особенно в регионах с жесткой водой.

Нельзя использовать прибор, если не работают лампы.

Лампы следует регулярно проверять, как описано в главах «Техобслуживание» и «Замена ламп».

Указания по установке

Убедитесь, что весь упаковочный материал снят (внимательно читайте предупреждающие надписи).

Сохраните всю упаковку на случай последующей транспортировки или возврата прибора поставщику.

Во избежание потерь тепла и сквозняков через дымоход, нарушающих работу камина, рекомендуется перекрыть дымоход, оставив лишь небольшую щель для вентиляции.

Установка прибора;

Держите камин по бокам и осторожно установите в нужное положение. Подключите камин к розетке 13 А/240 В. Убедитесь, что кабель питания выходит спереди камина, в правом или левом углу, дотягивается до электророзетки и не зажат под камином, что может привести к его повреждению.

Перед включением прибора ознакомьтесь с приведенными ниже указаниями.

Перед использованием элементов ручного управления заполните бак водой (см. «Техобслуживание», «Заполнение бака для воды»).

Элементы ручного управления

Элементы ручного управления находятся за ящиком. (Схему элементов ручного управления см. на рис. 2.)

Общая информация

Аккуратно распакуйте камин и сохраните упаковку на случай транспортировки или возврата прибора поставщику. Пульт дистанционного управления и батарейки упакованы в отдельную коробку.

В камине предусмотрен эффект живого пламени, который можно использовать как в сочетании с функцией нагрева, так и без нее, что обеспечивает создание уютной обстановки в любое время года. При включении только эффекта пламени прибор потребляет небольшое количество электроэнергии.


Эта модель предназначена для установки в обрамлении или в стенной нише.

Перед подключением камина убедитесь, что напряжение питания соответствует указанному на камине.


Примечание: Если прибор используется в помещении

Переключатель «А» управляет подачей питания к камину.
Примечание. Данный переключатель должен находиться в положении «ВКЛ» (I), чтобы камин работал.

Выключатель «В»: управляет функциями камина.

Нажмите кнопку  один раз для включения эффекта пламени. Операция подтверждается одиночным звуковым сигналом.

Хотя основные индикаторы загораются сразу же, для включения эффекта пламени требуется еще около 30 секунд.

Нажмите кнопку  для перевода камина в режим ожидания.

Операция подтверждается одиночным звуковым сигналом.

Регулятор «С»: управляет интенсивностью эффекта пламени.

При вращении регулятора вверх интенсивность пламени увеличивается, а при вращении вниз — уменьшается.

Когда бак для воды пуст, основные лампы выключаются. Следуйте указаниям в главах [«Техобслуживание»](#), [«Заполнение бака для воды»](#). После завершения операции основные лампы загораются, однако для возобновления эффекта пламени требуется еще 30 секунд.

Использование пульта дистанционного управления

Для использования пульта дистанционного управления выключатель «А» (см. рис. 2) на панели управления должен быть в положении (I) «ВКЛ». На пульте ДУ имеется 2 кнопки (см. рис. 7).

Для правильной работы пульт ДУ следует направлять на переднюю панель эффекта пламени.

Имеются следующие функции ДУ:

Нажмите один раз, чтобы включить только эффект пламени.

Операция подтверждается одиночным звуковым сигналом.



Режим ожидания

Операция подтверждается одиночным звуковым сигналом.

Информация о батареях

1. Снимите крышку на задней стороне пульта ДУ (см. рис. 7).
2. Установите батареи AAA в пульт дистанционного управления.
3. Установите крышку отсека для батарей на место.

Утилизация батарей с нарушенной герметичностью

Утилизируйте батареи надлежащим образом в соответствии с государственными и региональными нормативными актами.

Установка батарей разного типа, неправильная установка, замена батарей по отдельности, их ликвидация путем сжигания в открытом огне, а также попытки зарядки батарей, не предназначенных для повторного использования, могут стать причиной утечки электролита.

Советы по использованию прибора

1. Выдвигайте ящик только для доливания воды в бак или замены ламп, иначе возможно превышение уровня воды в поддоне и ослабление эффекта пламени. Если это произойдет, слейте воду из поддона, как описано в главе «Техобслуживание».

2. При минимальной настройке пламени прибор использует примерно 40 мл воды в час и работает в 3 раза дольше, чем при максимальном пламени.

3. Нельзя наклонять и двигать камин, когда в баке или поддоне есть вода.

4. Камин следует устанавливать только на ровном полу.

5. Регулятор пламени «С» (рис. 2) можно вращать вверх или вниз для достижения максимально реалистичного эффекта.

6. Иногда пламя кажется более реалистичным, если регулятор пламени установлен в минимальное положение.

7. Генератору пламени требуется некоторое время для реакции на изменение положения регулятора пламени.

Техобслуживание

ВНИМАНИЕ! ПЕРЕД ВЫПОЛНЕНИЕМ ТЕХОБСЛУЖИВАНИЯ ВСЕГДА ОТКЛЮЧАЙТЕ ПРИБОР ОТ ИСТОЧНИКА ПИТАНИЯ

Замена ламп

Если дым приобретает серый цвет или становится бесцветным, причиной этого может быть отказ одной или нескольких ламп.

Неисправности ламп можно выявить следующим образом.

1. Оставьте эффект пламени включенным, полностью откройте дверцы, осторожно выдвиньте ящик за язычок (см. рис. 3).
2. Посмотрите на лампы с некоторого расстояния перед камином, чтобы определить, какую из них необходимо заменить.
3. Переведите выключатель «А» в положение «ВЫКЛ» и отсоедините камин от сети.
4. Перед извлечением ламп дайте им остыть, оставив прибор на 20 минут.
5. Приподнимите и снимите бак для воды и поставьте его в раковину.
6. Снимите поддон, как описано в разделе «Чистка».
7. Удалите неисправную лампу, осторожно подняв вертикально и отсоединив штырьки от патрона (см. рис. 4 и 5). Замените неисправную лампу фирменной цветной лампой номиналом 12 В, 45 Вт, с цоколем G5.3 и углом расхождения светового пучка 8°. Лампы можно купить в магазине, где был приобретен прибор.
8. Осторожно вставьте два штырька новой лампы в два отверстия в патроне. Вдавите лампу для плотной посадки (см. рис. 4 и 5).
9. Установите на место поддон и бак для воды и осторожно закройте ящик.
10. Включите прибор.

Заполнение бака для воды

Когда бак для воды пуст, эффект пламени и дыма прекращается и раздаются два звуковых сигнала. Для наполнения бака следуйте приведенным указаниям:

1. Переведите выключатель «А» в положение (0) (см. рис. 2)
2. Выдвиньте ящик за язычок насколько возможно (см. рис. 3).
3. Снимите бак для воды, приподняв и выдвинув его наружу.
4. Поставьте бак для воды в раковину и откройте пробку против часовой стрелки (см. рис. 6).
5. Наполняйте бак **водопроводной водой жесткостью до 10 немецких градусов жесткости**. Это продлит срок службы блока создания эффекта пламени и дыма.

Воду с более высокой жесткостью необходимо фильтровать (например, с помощью фильтра Maxtra). **Не используйте средства для декальцинации.**

6. Заверните пробку, **не допуская ее перетягивания.**

7. Установите бак на поддон так, чтобы пробка бака была обращена вниз, а плоская сторона бака — наружу.

8. Нажмите один раз на выключатель 'В' для включения эффекта пламени (см. раздел о ручном управлении, рис. 2).

9. Переведите выключатель «А» в положение «ВКЛ» (I) (см. рис. 2)

10. Осторожно задвиньте ящик назад до упора.

Чистка

ВНИМАНИЕ! ПЕРЕД ЧИСТКОЙ ВСЕГДА ОТКЛЮЧАЙТЕ КАМИН ОТ ИСТОЧНИКА ПИТАНИЯ.

Рекомендуем очищать следующие компоненты каждые 2 недели, особенно в регионах с жесткой водой:

бак для воды, поддон и уплотнение, крышку поддона, пробку и уплотнение бака, воздушный фильтр.

Общая чистка выполняется мягкой, чистой тряпкой, ни в коем случае не используйте абразивные чистящие средства. Для удаления скопления пыли или пуха и очистки вытяжной воздухораспределительной решетки вентилятора камина периодически используйте насадку пылесоса в форме мягкой щетки.

Бак для воды

1. Снимите бак для воды, как было описано ранее, поставьте его в раковину и слейте воду.

2. Прилагаемой щеткой аккуратно очистите внутренние поверхности пробки, уделяя особое внимание резиновому кольцу в наружной бороздке и центральному уплотнительному кольцу.

3. Капните немного жидкости для мытья посуды в бак, закройте пробку и хорошо встряхните, затем ополосните, удалив все остатки моющей жидкости.

4. Залейте водопроводную воду жесткостью до 10 немецких градусов жесткости и заверните пробку, не допуская ее перетягивания.

5. Не используйте средства для декальцинации при чистке прибора — это может привести к сокращению срока службы блока создания эффекта дыма.

Поддон

1. Переведите выключатель «А» в положение «ВыКЛ» (0) .

2. Осторожно выдвиньте ящик насколько возможно (см. рис. 3).

3. Снимите бак для воды, приподняв его вверх.

4. Отсоедините электрический разъем, расположенный с левой стороны поддона, отвернув вначале два зажимных винта, и осторожно извлеките разъем (см. рис. 8).

5. Разомкните нижние фиксаторы поддона, повернув на 90°, после этого можно полностью снять поддон (см. рис. 9).

6. Осторожно приподнимите узел поддона, держа его ровно, чтобы не пролить воду. Поместите весь блок в раковину (см. рис. 10).

7. Разомкните два верхних фиксатора поддона, повернув их на 90°, а затем снимите крышку поддона (см. рис. 11).

8. Осторожно наклоните, как показано на иллюстрации, чтобы жидкость вытекла из поддона (см. рис. 12).

9. Капните немного жидкости для мытья посуды в поддон и прилагаемой щеткой аккуратно очистите все поверхности, в т. ч. металлический диск и резиновое уплотнение на верхней стороне с канавкой. **Не удаляйте резиновые**

уплотнения. (см. рис. 13 и 14)

10. После чистки тщательно промойте поддон чистой водой.

11. Очистите наружную поверхность крышки поддона щеткой и тщательно промойте водой (см. рис. 15 и 16).

12. Сборка производится в обратном порядке.

Воздушный фильтр

1. Осторожно выдвиньте ящик насколько возможно (см. рис. 3).

2. Переведите выключатель «А» в положение «ВыКЛ» (0) (см. рис. 2).

3. Снимите бак и поместите в раковину пробкой вверх.

4. Осторожно отодвиньте вверх пластиковый держатель фильтра (см. рис. 17).

5. Выньте набор фильтров из пластикового держателя.

6. Осторожно промойте его водой в раковине и вытрите полотенцем, прежде чем устанавливать на место.

7. Поместите набор фильтров обратно, убедившись, что грубый фильтр черного цвета обращен в сторону пластикового держателя (см. рис. 18).

8. Установите бак на место.

9. Переведите выключатель «А» в положение «ВКЛ» (I) (см. рис. 2).

10. Полностью закройте ящик.

Вторичная переработка.



Для электроприборов, продаваемых в странах ЕС. Приборы, выработавшие свой ресурс, не подлежат утилизации вместе с бытовыми отходами. Утилизация должна осуществляться в специально оборудованных местах. Для получения информации о правилах утилизации в своей стране обратитесь в местные органы власти или в магазин.

Послепродажное обслуживание

Гарантийный срок для данного прибора составляет один год, начиная со дня покупки. В течение этого времени мы обязуемся бесплатно выполнять ремонт или замену изделия (кроме ламп, с учетом наличия деталей и изделий) при условии, что установка и эксплуатация изделия выполнялись в соответствии с данными инструкциями. За помощью в получении послепродажного обслуживания или приобретении запасных деталей, обращайтесь в магазин розничной торговли, в котором был приобретен прибор, или в центр обслуживания клиентов, расположенный в вашей стране: его телефонный номер приведен в гарантийном талоне. Не отправляйте неисправное изделие непосредственно производителю, поскольку это может привести к необоснованным издержкам, ущербу или задержке в предоставлении надлежащего уровня обслуживания.

Сохраните чек, подтверждающий факт покупки прибора.

Устранение неисправностей		
Признак	Причина	Способ устранения
Эффект пламени не включается.	<p>Вилка не вставлена в розетку.</p> <p>Выключатель «А» находится в положении «ВКЛ» (I), но переключатель режимов «В» не нажат (см. рис. 2).</p> <p>Низкий уровень воды.</p> <p>Неправильное подключение низковольтного разъема (см. рис. 8).</p>	<p>Убедитесь в том, что вилка как следует вставлена в розетку.</p> <p>Нажмите на выключатель «В» один раз для выбора эффекта пламени (см. рис. 2).</p> <p>Проверьте, наполнен ли водяной бак, а также проверьте наличие воды в поддоне.</p> <p>Убедитесь, что разъем подсоединен правильно (см. рис. 8).</p>
Эффект пламени слишком слабый.	<p>Регулятором выбран слишком слабый эффект пламени. (см. рис. 2)</p> <p>Уровень воды в поддоне может быть слишком высоким из-за того, что ящик открывался и закрывался слишком часто, бак для воды снимался слишком часто или камин передвигался.</p> <p>Может быть загрязнен металлический диск на основании поддона (см. рис. 13).</p>	<p>Увеличьте уровень пламени, медленно вращая регулятор «С» влево (см. рис. 2).</p> <p>Если уровень воды в поддоне выше 40 мм, следует вынуть и слить поддон.</p> <p>Очистите металлический диск прилагаемой мягкой щеткой (см. рис. 13). См. пошаговую инструкцию в разделе «Техобслуживание».</p>
Неприятный запах при использовании прибора.	<p>Грязная или застоявшаяся вода.</p> <p>Использование нефilterованной воды.</p>	<p>Очистите прибор, как описано в разделе «Техобслуживание».</p> <p>Используйте водопроводную воду жесткостью до 10 немецких градусов жесткости.</p>
Эффект пламени дает слишком много дыма.	<p>Установлен слишком сильный эффект пламени.</p>	<p>Поверните регулятор пламени «С» вправо до минимума и затем медленно вращайте влево, примерно на ¼ за оборот. Перед увеличением следует выждать некоторое время, чтобы генератор пламени отреагировал на изменение (см. рис. 2).</p>
Основные лампы не горят, нет пламени или дыма.	<p>В баке нет воды.</p>	<p>Следуйте указаниям в главах «Техобслуживание», «Заполнение бака для воды».</p> <p>Убедитесь, что вилка правильно подсоединена к розетке.</p> <p>Выключатель «А» (рис. 2) находится в положении «ВКЛ» (I).</p> <p>Для включения эффекта пламени нажмите выключатель «В» (рис. 2), чтобы прозвучал один звуковой сигнал.</p>

DE - Garantie

Die nachstehenden Ausführungen über Umfang der Garantie, Garantiefristen und die Anmeldung von Garantieansprüchen gelten ausschließlich für die Bundesrepublik Deutschland.

Wir räumen dem Käufer nach seiner Wahl zusätzlich zu den ihm gegen den Verkäufer ausstehenden gesetzlichen Gewährleistungsansprüchen einen Anspruch nach Maßgabe der nachfolgenden Garantieverpflichtung ein:

I. Dauer und Beginn der Garantie

1. Grundsätzlich wird für jedes im Haushalt eingesetzte Gerät die auf der Garantiekarte ausgezeichnete Garantiezeit gewährt.
2. Bei gewerblicher Nutzung der von der Bauart her für den Haushalt bestimmten Geräte beträgt die Garantiezeit lediglich sechs Monate.
3. Die Garantie ist mit dem Zeitpunkt der Übergabe des Gerätes wirksam.
4. Bewahren Sie die vom Verkäufer ausgefüllte Garantie-Urkunde mit der Rechnung, dem Lieferschein oder einem anderen Kaufnachweis auf.
5. Durch Garantieleistungen tritt keine Verlängerung der ursprünglichen Garantiezeit ein.
6. Garantieansprüche können nur geltend gemacht werden, wenn die Mängelrüge innerhalb von 14 Tagen nach Entdeckung des Mangels schriftlich bei uns eingeht.

II. Inhalt und Umfang der Garantie

1. Ihr Gerät wird sorgfältig geprüft. Für den Fall, daß der Garantieanspruch zu Recht besteht, entscheiden wir, auf welche Art der Schaden behoben werden soll / wird. Im Reparaturfall sorgen wir für eine fachgerechte Ausführung.
2. Bei der Einsendung zur Reparatur sind Garantie-Urkunde und Kaufnachweis beizufügen.
3. Innerhalb der ersten sechs Monate erbringen wir die Garantieleistungen ohne Berechnung von Nebenkosten (Fahrt- und Wegzeitkosten, Fracht- und Verpackungskosten).
4. Darüber hinausgehende Ansprüche, insbesondere Schadenersatzansprüche, sind ausgeschlossen, soweit eine Haftung nicht gesetzlich angeordnet ist.

III. Einschränkungen der Garantie

1. Eine Garantie besteht nicht bei Fehlern oder Mängeln, die auf folgendes zurückzuführen sind:

- a) Reparaturen und Abänderungen, die von nicht autorisierter dritter Stelle vorgenommen werden oder wurden;
 - b) äußere Einwirkungen, zum Beispiel Transportschäden, Beschädigungen durch Stoß oder Schlag, Schäden durch Witterungseinflüsse oder sonstige Naturerscheinungen;
 - c) unsachgemäße / fehlerhafte Bedienung oder Beanspruchung;
 - d) Verwendung von ungeeigneten Reinigungsmitteln, Chemikalien usw.
2. Die Garantie erstreckt sich nicht auf leicht zerbrechliche Teile, zum Beispiel Glas, Kunststoff, Glühlampen.
 3. Geringfügige Änderungen gegenüber Prospekten oder Mustern oder früher gelieferter Ware gelten nicht als Mangel. Gleiches gilt bei lediglich geringfügigen Abweichungen von der Sollbeschaffenheit, die für Wert- und Gebrauchstauglichkeit des Gerätes unerheblich ist.
 4. Im Ausland gelten die von unserer jeweils zuständigen Landesvertretung herausgegebenen Garantiebedingungen.

DE - Garantie Für dieses Gerät gelten die in dem Kaufland herausgegebenen Garantiebedingungen. Einzelheiten teilt Ihnen der Händler, bei dem Sie das Gerät gekauft haben, auf Anfrage jederzeit mit. Die Inanspruchnahme von Garantieleistungen setzt die Vorlage des Kaufbeleges und die Einhaltung der Garantiefrist voraus. Der Garantieanspruch verfällt, wenn das Gerät beschädigt, nicht sachgemäß benutzt oder unbefugte Eingriffe vorgenommen wurden.

UK - Warranty The warranty conditions in the country of purchase apply to this appliance. Information can be obtained at any time from the retailer from whom the appliance was purchased. For claims under guarantee the sales receipt must be produced and the claims must be forwarded within the guarantee period. The right to claim under guarantee expires in case that the device has been damaged, used in an inappropriate way or that unauthorized manipulations have been carried out.

FR - Garantie Pour cet appareil, les garanties applicables sont celles en vigueur dans le pays où a lieu l'achat. Votre revendeur vous en communiquera à tout moment les détails sur simple demande. La revendication au droit à la garantie est assujettie à la présentation de la preuve d'achat et du respect du délai de garantie. Le droit à la garantie expire lorsque l'appareil a été endommagé, utilisé de manière inadéquate ou que des interventions ont été effectuées par des tiers.

IT - Garanzia Per questo apparecchio valgono le condizioni di garanzia pubblicate nel Paese d'acquisto. I dettagli a riguardo vengono forniti, in ogni momento, su richiesta, dal rivenditore presso il quale viene acquistato l'apparecchio. Il diritto alla prestazione di garanzia ha come premessa l'esibizione dello scontrino di acquisto e l'osservanza del termine di garanzia. Il diritto alla copertura di garanzia non sussiste, se l'apparecchio è stato danneggiato, se non è stato utilizzato a regola d'arte e sono stati effettuati su di esso interventi non autorizzati.

ES - Garantía Para este aparato tienen validez las condiciones de garantía entregadas en el país de compra. En caso de preguntas, el vendedor al que usted compró el aparato, estará en todo momento dispuesto a informarle sobre los detalles al respecto. La solicitud de prestaciones que estén incluidas en las disposiciones de garantía presupone, que usted presente el ticket de compra y que haga su solicitud en el plazo de garantía. Los derechos de garantía caducan, si el aparato se ha dañado, si se ha utilizado de manera inadecuada, o si en él se han efectuado intervenciones desautorizadas.

PT - Garantia As condições de garantia do país de compra aplicam-se a este aparelho. Pode obter informação em qualquer altura do retalhista de onde adquiriu o aparelho. Todas as reclamações ao abrigo da garantia terão de se fazer acompanhar do documento comprovativo da compra e de serem enviadas dentro do período da garantia. O direito de reclamação ao abrigo da garantia expira no caso do aparelho ter sido danificado, utilizado de forma incorrecta ou de se terem efectuado manipulações não autorizadas.

NL - Garantie Voor dit apparaat gelden de in het koopland uitgegeven garantievoorwaarden. Details deelt U uw dealer, waar U het apparaat heeft gekocht, op aanvraag altijd mee. De gebruikmaking van garantievoorwaarden vereist het overleggen van het koopbewijs en de nakoming van de garantietermijn. De garantieclaim vervalt, wanneer het apparaat werd beschadigd, niet juist werd gebruikt of onbevoegde ingrepen werden uitgevoerd.

DK - Garanti Apparatet er omfattet af de garantibetingelser, som er gældende i købslandet. Nærmere detaljer kan fås hos den forhandler, hvor du har købt apparatet. Der kan kun stottes ret på garantien ved forelæggelse af købskvittering og kun inden for garantiperioden. Garantien bortfalder, hvis apparatet er blevet beskadiget, anvendt forkert eller i tilfælde af uautoriseret indgreb i apparatet.

SE - Garanti För denna apparat gäller de för inköpslandet utgivna garantibestämmelserna. På förfrågan kan detaljerna i garantibestämmelserna erhållas från inköpsstället där apparaten har köpts. Om garantin tas i anspråk måste inköpskvitto kunna uppvisas inom garantitiden. Alla garantianspråk

NO - Garanti For dette apparatet gjelder kun de betingelsene som er offentliggjort i forretningen det er kjøpt. Detaljer ang. dette kan man til enhver tid få hos den fagforhandleren hvor du har kjøpt apparatet. For å ha fulle garantirettigheter må man kunne fremlegge kvitteringen og garantifristen må ikke være utløpt. Garantien gjelder ikke når apparatet er skadet, ikke er brukt etter forskriftene eller ukvalifiserte inngrep er foretatt.

FI - Takuu Laitteella on ostomaassa voimassa olevat takuuehdot. Yksityiskohdat näistä ehdoista ilmoittaa sinulle kauppias, jolta olet laitteen ostanut. Takuusuorituksia voi vaatia takuuajan ollessa voimassa esittämällä ostodokumentin. Takuu ei ole voimassa, mikäli laiteita on käytetty sen ollessa vaurioitunut, sitä on käytetty väärin tai ammatitaidoton henkilö on korjannut laitetta.

PL - Gwarancja Dla tego urządzenia obowiązują warunki gwarancji wydane w kraju zakupu. W każdej chwili sprzedawca, u którego dokonano zakupu urządzenia, przekaże Państwu odpowiednie szczegóły. Wykorzystanie świadczeń gwarancyjnych jest uwarunkowane przedłożeniem potwierdzenia zakupu i zachowaniem terminu gwarancji. Prawo do gwarancji przepada, gdy urządzenie zostanie uszkodzone, nieoprawnie używane lub dokonane zostaną niedozwolone manipulacje.

CZ - Záruka Pro tento přístroj jsou platné záruční podmínky, které byly vydány v zemi kupujícího. S podrobnostmi Vás kdykoliv na požádání seznámí Váš prodejce, u kterého jste přístroj zakoupili. Uznání záruky předpokládá předložení dokladu o koupi a dodržení záruční lhůty. Nárok na záruku propadá, je-li přístroj poškozený, neodborně provozovaný a nebo byly-li na něm provedeny neodborné zásahy.

LV - Garantijs Ģai ierīci ir spēkā pirēja valstī izdotie garantijas noteikumi. Par to jūs sīkāk informācija saņemsiet veikālā, kurā jūs do ierīci nopirkāt. Garantijas pieteikšanās jums ir nepieciešama pirkšanas kvīts. Bez tam ir svarīgi, lai garantijas termiņā nebūtu notēcijas. Garantijs netiek sniegta, ja jūs ierīci sabojājāt, ekspluatējāt neatbilstoši lietošanas instrukcijai, veicāt patvaļīgi demontāžu vai mēcinājāt padīt to remontēt.

SI - Garancija Za to napravvo veljajo garancijski pogoji izdani v državi nakupa. Na vašo željo vas bo o podrobnostih kadarkoli obvestil trgovec, pri katerem ste kupili napravo. Pogoj za uveljavljanje storitev določenih v garanciji je predložitev računa in upoštevanje garancijskega roka. Pravica do garancije zapade, če je naprava poškodovana, če naprava ni bila ustrezno uporabljena ali če so bili izvedeni nepooblaščen posegi v napravo.

SK - Záruka Pre tento prístroj platia záručné podmienky vydané v krajine jeho zakúpenia. S podrobnosťami Vás na požiadanie kedykoľvek zoznámí predajca, u ktorého ste prístroj zakúpili. Nárok na záručné služby predpokladá predloženie dokladu o kúpe a dodržanie záručnej lehoty. Nárok na záruku zaniká, ak bol prístroj poškodený, neodbornou používaním alebo na ňom boli urobené neoprávnené zásahy.

LT - Garantija Ėiam prietaisui galioja pirmko dalyje ideistos garantijos slygos. Jums pasiteiravus bet kuriuo metu pardavėjas, pas kurą Jus pirkote prietaisf, informuos apie smulkmenas. Garantijos vykdymo pasinaudojimo slyga yra kasos čekio pateikimas ir garantinio termino idlaikymas. Garantinis reikalavimas pasibaigia, jeigu prietaisas sugadintas, netinkamai buvo naudotas arba buvo atlikti neleistini askidimai.

EE - Garanti Seadme kohta kehtivad selle riigi garantitingimused, kus seade on ostetud. Seadme edasimõija annab Teile põhjalikku informatsiooni garantii üksikasjade kohta. Garantiteenuste osutamise aluseks garantiata jooksul on ostudokument. Garantii ei kehti, kui seade on kahjustunud, seda on kasutatud ebaoststarbiseil või seadet on demonteeritud.

HU - Garancia A készülékre a vásárlási országban kiadott garanciális feltételek érvényesek. Ennek részleteiről kérésre szívesen nyújt információt az a kereskedő, akitől a készüléket vásárolta. A garanciális teljesítés igénybe vételének előfeltétele a vásárlási bizonylat bemutatása és a garanciális határidő betartása. A garanciális igény nem érvényes, ha a készülék sérült, nem szakszerűen használták vagy illetéktelen beavatkozásokot végeztek rajta.


HR - Jamstvo Uvjeti jamstva koji važe u državi kupnje važe i za ovaj uređaj. Podaci se mogu dobiti u svako doba od dobavljača od kojega ste kupili proizvod. Za zahtjeve po osnovi jamstva morate priložiti račun koji ste dobili pri kupnji, a zahtjev treba podnijeti u toku trajanja jamstvenog perioda. Pravo iz jamstva isticu u slučaju da je uređaj oštećen, korišten na neodgovarajući način ili su na njemu provedene neovlaštene popravke.

GR - Εγγύηση Για την παρούσα συσκευή ισχύουν οι κανονισμοί εγγύησης του ισχύουσιν στην χώρα όπου αγοράστηκε. Λεπτομέρειες ως προς παρέχει ο έμπορος από τον οποίο προμηθευτήκατε την συσκευή οποιαδήποτε στιγμή του το ζητήσετε. Απαραίτητες προϋποθέσεις για την διεκδίκηση παροχών που περιλαμβάνονται στην εγγύηση είναι η αποδείξη αγοράς και η τήρηση της προθεσμίας εγγύησης. Η εγγύηση εκπίπτει εφόσον η συσκευή υπέστη βλάβη, δεν χρησιμοποιήθηκε ορθά ή έλαβαν χώρα επεμβάσεις σε αυτή από μη εξουσιοδοτημένο πρόσωπο.

BG - гаранция За настоящия уред вадат гаранционните условия, валидни за страната, в която е купен. С подробностите ще Ви запознае продавачът, от който сте купили уреда и към който Вие можете да се обърнете по всяко време. За да се предоставят гаранционни услуги, е необходимо да се представи документът за закупуване и да не е изтекъл гаранционният срок. Гаранцията се губи, ако уредът е повреден, неправилно използван или с недопустими изменения.

RU - Гарантия В отношении этого прибора действительны условия гарантии, предоставленные в стране приобретения. Более подробную информацию по вашему запросу в любое время предоставит магазин, в котором вы приобрели прибор. Для гарантийного обслуживания необходимо в течение гарантийного срока предъявить квитанцию о покупке. Гарантия утрачивает силу, если прибор был поврежден, использовался ненадлежащим образом или был подвергнут недовольным вмешательствам.

KZ Кепілдік Мынау аспапқа сатып алған мемлекетте шыққан гарантиялы шарттар жарамды. Аспапты сатып алған сатушыны сұратсаңыз, әрдайым нақтылықтарды айтып береді. Гарантиялы міндеттемені пайдалану үшін сатып алған қасалық чекі болуы және гарантиялы мерзімін өткізіп алмауы керек. Аспап сынық, дұрыс пайдаланбаған немесе арнаулы емес талдаулар өткізілген болса гарантия правосы жарамсыз.

1. Warranty Card 	2. Guarantee Period (in Years) 2	3. Model(s)	4. Date of Purchase								
5. Stamp & Signature of retailer	6. Fault/Defect										
7. Contact Number & Address <table border="0"> <tr> <td data-bbox="103 517 475 701"> DE Glen Dimplex Deutschland Gmbh ewt-Kundendienst ☎ +49 (911) 1805 / 398 346 Fax. +49 (911) 1805 / 355 467 (14Ct./Min aus dem dt. Festnetz) </td> <td data-bbox="480 555 767 723"> UK ☎ (+44) 0845 600 5111 Fax. (+44) 01489 773050 A division of the GDC Group Ltd. </td> <td data-bbox="884 517 1114 730"> NO Glen Dimplex Nordic HAVNEGATA 24, N 7500, Stjørdal, Norway. +(47) 74 82 91 00 Fax: +(47) 74 82 91 01 </td> <td data-bbox="1203 517 1410 696"> IT Glen-Dimplex Italia S.r.l. via delle Rose 7, 24040 Iallio (BG) ☎ 035-201042 Fax. 035-200492 </td> </tr> <tr> <td data-bbox="103 757 347 936"> ES Glen Dimplex España S.L. C/ Bailén, 20, 4º, 2ª e-08010 BARCELONA ☎ (+34) 93.238.61.59 Fax. (+34) 932384375 </td> <td data-bbox="480 757 852 875"> NL Glen Dimplex Benelux B.V. – Netherlands Antennestraat 84 1322 AS Almere, Nederland </td> <td colspan="2" data-bbox="1222 757 1426 891"> FR Glen Dimplex France ZI Petite Montagne Sud 12 rue des Cévennes 91017 EVRY - LISSES </td> </tr> </table> <p style="text-align: center;">Официальный сайт в России: dimplex.ru</p>				DE Glen Dimplex Deutschland Gmbh ewt-Kundendienst ☎ +49 (911) 1805 / 398 346 Fax. +49 (911) 1805 / 355 467 (14Ct./Min aus dem dt. Festnetz)	UK ☎ (+44) 0845 600 5111 Fax. (+44) 01489 773050 A division of the GDC Group Ltd.	NO Glen Dimplex Nordic HAVNEGATA 24, N 7500, Stjørdal, Norway. +(47) 74 82 91 00 Fax: +(47) 74 82 91 01	IT Glen-Dimplex Italia S.r.l. via delle Rose 7, 24040 Iallio (BG) ☎ 035-201042 Fax. 035-200492	ES Glen Dimplex España S.L. C/ Bailén, 20, 4º, 2ª e-08010 BARCELONA ☎ (+34) 93.238.61.59 Fax. (+34) 932384375	NL Glen Dimplex Benelux B.V. – Netherlands Antennestraat 84 1322 AS Almere, Nederland	FR Glen Dimplex France ZI Petite Montagne Sud 12 rue des Cévennes 91017 EVRY - LISSES	
DE Glen Dimplex Deutschland Gmbh ewt-Kundendienst ☎ +49 (911) 1805 / 398 346 Fax. +49 (911) 1805 / 355 467 (14Ct./Min aus dem dt. Festnetz)	UK ☎ (+44) 0845 600 5111 Fax. (+44) 01489 773050 A division of the GDC Group Ltd.	NO Glen Dimplex Nordic HAVNEGATA 24, N 7500, Stjørdal, Norway. +(47) 74 82 91 00 Fax: +(47) 74 82 91 01	IT Glen-Dimplex Italia S.r.l. via delle Rose 7, 24040 Iallio (BG) ☎ 035-201042 Fax. 035-200492								
ES Glen Dimplex España S.L. C/ Bailén, 20, 4º, 2ª e-08010 BARCELONA ☎ (+34) 93.238.61.59 Fax. (+34) 932384375	NL Glen Dimplex Benelux B.V. – Netherlands Antennestraat 84 1322 AS Almere, Nederland	FR Glen Dimplex France ZI Petite Montagne Sud 12 rue des Cévennes 91017 EVRY - LISSES									

UK

- Warranty Card
- Guarantee Period (in Years)
- Model(s)
- Date of Purchase
- Stamp & Signature of retailer
- Fault/Defect
- Contact Number & Address

DE

- Garantiekarte
- Garantiezeitraum (in Jahre)
- Modell(e)
- Kaufdatum
- Stempel & Unterschrift des Einzelhändlers
- Fehler/Defekt
- Kontakt-Tel.-Nr. & - Anschrift

FR

- Bon de garantie
- Période de garantie (en années)
- Modèle(s)
- Date d'achat
- Cachet et signature du vendeur
- Anomalie/Défaut
- Nom et adresse du contact

IT

- Scheda di garanzia
- Periodo di garanzia (in anni)
- Modello(i)
- Data di acquisto
- Timbro e firma del rivenditore
- Guasto/difetto
- Indirizzo e numero di contatto

ES

- Tarjeta de garantía
- Periodo de garantía (en años)
- Modelo(s)
- Fecha de adquisición
- Sello y firma del distribuidor
- Avería/Defecto
- Número y dirección de contacto

PT

- Cartão de Garantia
- Período de Garantia (em anos)
- Modelo(s)
- Data de Compra
- Carimbo e Assinatura do retalhista
- Falha/Defeito
- Número de Contacto e Morada

NL

- Garantiebewijs
- Garantieperiode (in jaren)
- Model(len)
- Aankoopdatum
- Stempel & Ondertekening detaillist
- Fout/Defect
- Telefoonnummer & Adres

DK

- Garantikort
- Garantieperiode (i år)
- Model(ler)
- Købsdato
- Detailhandlers stempel & underskrift
- Fejl/defekt
- Kontaktnummer & -adresse

SE

- Garantikort
- Garantitid (i år)
- Modell(er)
- Inköpsdag
- Återförsäljarens stämpel och underskrift
- Fel
- Telefonnummer och adress för kontakt

NO

- Garantikort
- Garantieperiode (i år)
- Modell(er)
- Kjøpsdato
- Selgers stempel og signatur
- Feil/defekt
- Kontaktnummer og adresse

FI

- Takuukortti
- Takuu aika (vuosina)
- Malli(t)
- Ostopäivämäärä
- Myyntiliikkeen leima ja allekirjoitus
- Vika/vaurio
- Yhteysnumero ja osoite

PL

- Karta gwarancyjna
- Okres gwarancji (w latach)
- Model(e)
- Data zakupu
- Pieczeć i podpis sprzedawcy
- Usterka
- Telefon i adres kontaktowy

CZ

- Záruční list
- Záruční doba (roky)
- Model(y)
- Datum zakoupení
- Razítko a podpis prodejce
- Porucha/chyba
- Kontaktní číslo a adresa

LV

- Garantijas talons
- Garantijas periods (gadi)
- Modelis(li)
- Legades datums
- Mazumtirgotāja zīmogs un paraksts
- Bojājums/defekts
- Kontaktinformācija un adrese

SI

- Garancijski list
- Obdobje veljavnosti garancije (v letih)
- Model(i)
- Datum nakupa
- Žig in podpis prodajalca
- Pomanjkljivost/okvara
- Kontaktna številka in naslov

SK

- Záručný list
- Záručné obdobie (v rokoch)
- Model(y)
- Dátum kúpy
- Pecat & Podpis obchodníka
- Porucha/závada
- Kontaktujte číslo & adresu

LT

- Garantijos kortele
- Garantijos laikotarpis (metais)
- Modelis (modeliai)
- Pirkimo data
- Prekybininko antspaudas ir parašas
- Gedimas / defektas
- Numeris ir adresas kontaktams

EE

- Garantikaart
- Garantiaeg (aastates)
- Mudel(id)
- Ostukuupäev
- Kaupluse tempel & allkirri
- Viga/defekt
- Kontaktnumber & aadress

HU

- Garancialevél
- Garancia időtartama (években)
- Modell(ek)
- Vásártás időpontja
- Eladó bélyegzője és aláírása
- Hiba/Hiány megnevezése
- Értesítési telefonszám és cím

HR

- Jamstvena kartica
- Jamstveni period (u godinama)
- Model(i)
- Datum kupnje
- Pecat i potpis dobavljača
- Kvar/defekt
- Broj i adresa za kontakt

GR

- Κάρτα εγγύησης
- Περίοδος ισχύος της εγγύησης (έτη)
- Μοντέλο(α)
- Ημερομηνία αγοράς
- Σφραγίδα και υπογραφή εμπόρου
- Σφάλμα/Ελάττωμα
- Αριθμός τηλεφώνου και διεύθυνση επικοινωνίας

BG

- Гаранционна карта
- Гаранционен период (в години)
- Модел(и)
- Дата на покупка
- Печат и подпис на търговеца
- Неизправност/Дефект
- Адрес и телефон за контакт

RU

- Гарантийная карта
- Срок действия гарантии(в годах)
- Модель (модели)
- Дата покупки
- Штамп и подпись озничного продавца
- Неисправность/дефект
- Номер контактного телефона и адрес

KZ

- Кепілдік картасы
- Кепілдік мерзімі
- Үлгі(лер)
- Сатылған күні
- Сатушының мәрі мен қолтаңбасы
- Кемістік/Ақаулық
- Байланыс телефоны және мекен-жайы